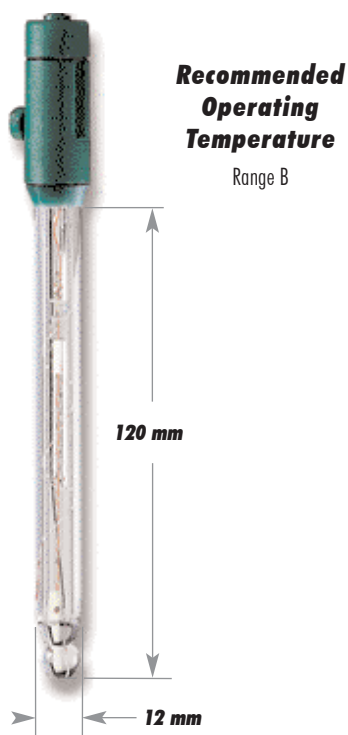


## Laboratory • Intelligent pH and ORP Electrodes\*

### HI 1615 Connector

HI 1615  7-pin DIN



#### Reference

Single, Ag/AgCl

#### Junction

Ceramic, single

#### Electrolyte

KCl 3.5M + AgCl

#### Max Pressure

0.1 bar

#### Range

pH: 0 to 13      T: -5 to 100°C (23 to 212°F)

#### Tip Shape

Spheric (dia: 9.5 mm)

#### Temperature Sensor

Yes

#### Amplifier

Yes

#### Body Material

Glass

#### Cable

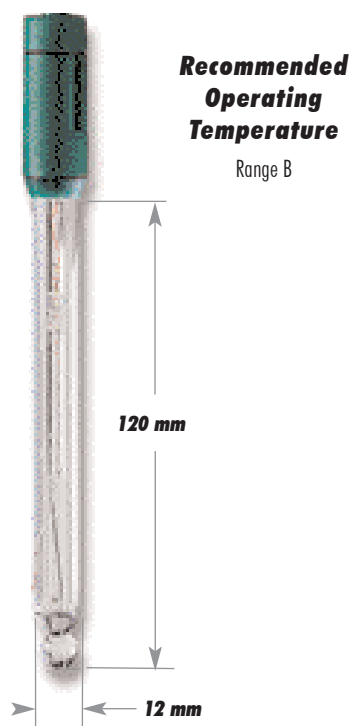
7-pole; 1 m (3.3')

#### Recommended Use

Laboratory general use

### HI 1616 Connector

HI 1616  7-pin DIN



#### Reference

Single, Ag/AgCl

#### Junction

Ceramic, single

#### Electrolyte

Gel

#### Max Pressure

up to 2 bar

#### Range

pH: 0 to 14      T: 0 to 100°C (32 to 212°F)

#### Tip Shape

Spheric (dia: 9.5 mm)

#### Temperature Sensor

Yes

#### Amplifier

Yes

#### Body Material

Glass

#### Cable

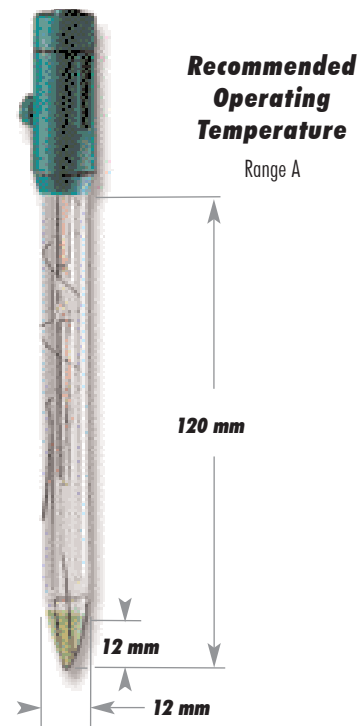
7-pole; 1 m (3.3')

#### Recommended Use

Continuous monitoring

### HI 1617 Connector

HI 1617  7-pin DIN



#### Reference

Single, Ag/AgCl

#### Junction

Ceramic, triple

#### Electrolyte

KCl 3.5M + AgCl

#### Max Pressure

0.1 bar

#### Range

pH: 0 to 12      T: -5 to 100°C (23 to 212°F)

#### Tip Shape

Conic (12 x 12 mm)

#### Temperature Sensor

Yes

#### Amplifier

Yes

#### Body Material

Glass

#### Cable

7-pole; 1 m (3.3')

#### Recommended Use

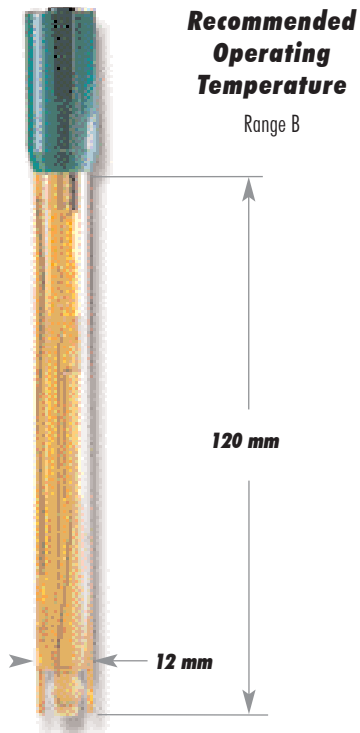
Fats and creams, soil samples, semi solid products, low conductivity solutions, emulsions

\* To be used with the HI 98140, HI 98150, HI 98230 and HI 98240 pH meters (see section D).

## Laboratory • Intelligent pH and ORP Electrodes\*

**HI 1618**  Connector

**HI 1618**  7-pin DIN



### Reference

Single, Ag/AgCl

### Junction

Cloth

### Electrolyte

Gel

### Max Pressure

3 bar

### Range

pH: 0 to 13      T: 0 to 80°C (32 to 176°F)

### Tip Shape

Spheric (dia: 5 mm)

### Temperature Sensor

Yes

### Amplifier

Yes

### Body Material

Ultem®

### Cable

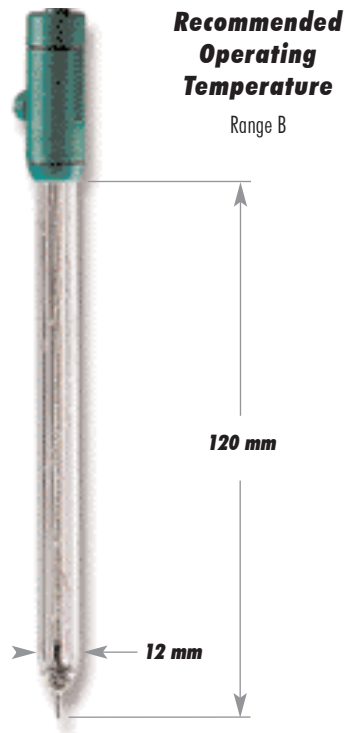
7-pole; 1 m (3.3')

### Recommended Use

Field applications

**HI 3619**  Connector

**HI 3619**  7-pin DIN



### Reference

Single, Ag/AgCl

### Junction

Ceramic, single

### Electrolyte

KCl 3.5 + AgCl

### Max Pressure

0.1 bar

### Range

ORP      T: -5 to 80°C (23 to 176°F)

### Tip

Platinum pin

### Temperature Sensor

No

### Amplifier

Yes

### Body Material

Glass

### Cable

7-pole; 1 m (3.3')

### Recommended Use

Laboratory general use, disinfection



\* To be used with the HI 98140, HI 98150, HI 98230 and HI 98240 pH meters (see section D).