

## Wall Mounted Microprocessor EC and TDS Controllers with 4-ring Potentiometric Probe

HI 24 is a new series of wall mounted, microprocessor-based EC and TDS controllers. Thanks to the 4-ring probe and automatic temperature compensation feature, these meters can provide very accurate EC and TDS measurements.

You can choose among models featuring ON/OFF or PID control, analog input and output, double setpoint. The relay contacts can drive external devices as, for example, pumps or electrovalves.

The input signal can come from a probe or a 4-20 mA transmitter.

Models with RS485 output are also available. This option allows to insert the controller into a 2-wire RS485 network.

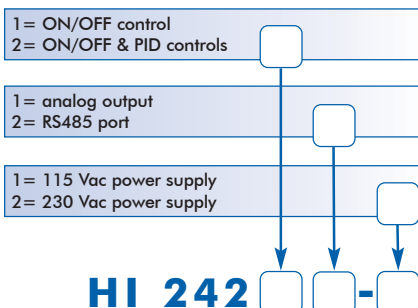


### Specifications

HI 24		
Range	EC	0.0 to 199.9 $\mu\text{S}/\text{cm}$ , 0 to 1999 $\mu\text{S}/\text{cm}$ ; 0.00 to 19.99 $\text{mS}/\text{cm}$ , 0.0 to 199.9 $\text{mS}/\text{cm}$
	TDS	0.0 to 100.0 ppm, 0 to 1000 ppm; 0.00 to 10.00 ppt, 0.0 to 100.0 ppt
	Temperature	-10.0 to 100.0°C
Resolution	EC	0.1 $\mu\text{S}/\text{cm}$ , 1 $\mu\text{S}/\text{cm}$ ; 0.01 $\text{mS}/\text{cm}$ , 0.1 $\text{mS}/\text{cm}$
	TDS	0.1 ppm, 1 ppm; 0.01 ppt, 0.1 ppt
	Temperature	0.1 °C
Accuracy (@20°C/68°F)		0.5% F.S. (EC/TDS); $\pm 0.5^\circ\text{C}$ (0 to 70°C), $\pm 1^\circ\text{C}$ (outside)
EC Calibration		automatic, 1 point
Temperature Compensation		automatic or manual from -10 to 100°C with $\beta$ adjustable from 0.00 to 10.00%/°C
TDS Conversion Factor		adjustable from 0.00 to 1.00
Outputs		digital: RS485 bi-directional opto-isolated; or analog, galvanically isolated: 0-1 mA, 0-20 mA and 4-20 mA, 0-5 Vdc, 1-5 Vdc and 0-10 Vdc
Setpoint Relay		2 contact outputs SPDT 5A-250 Vac, 5A-30 Vdc (resistive load); fuse: 5A, 250V
Alarm Relay		contact output SPDT 5A-250 Vac, 5A-30 Vdc (resistive load); fuse: 5A, 250V
Power Supply		115 Vac $\pm 10\%$ or 230 Vac $\pm 10\%$ ; 50/60 Hz; fuse: 400 mA, 250 V
Power Consumption		15 VA
Environment		0 to 50°C (32 to 122°F); RH max. 85% non-condensing
Protection		IP 54
Dimensions		221 x 181 x 86 mm (8.7 x 7.1 x 3.4")
Weight		1.6 kg (3.5 lb.)

### Ordering Information

Each HI 24 model is provided with dual setpoint and is supplied complete with instructions.



### Accessories

HI 7030L	12880 $\mu\text{S}/\text{cm}$ calibration solution, 500 mL bottle	HI 7033L	84 $\mu\text{S}/\text{cm}$ calibration solution, 500 mL bottle
HI 7031L	1413 $\mu\text{S}/\text{cm}$ calibration solution, 500 mL bottle	HI 7034L	80000 $\mu\text{S}/\text{cm}$ calibration solution, 500 mL bottle

For a complete range of process electrodes and probes, see section T2.